

# Nfina 8324R-HC Hybrid Cloud Solution



## FEATURES:

- IaaS solution w/ransomware protection and recovery
  - Disaster Recovery as a Service (DRaaS) included, with off-site data backup and cloud restoration
  - Managed Services included
  - Remote Management and Professional Services included
  - Nfina-View™ Monitoring Software included, provides failover recovery in minutes
  - Nfina-Store™ Storage Mgmt. Software, included
  - VMware vSphere® Essentials included
  - Microsoft Windows Server Software optional
  - 4-way mirrored storage
  - Up to 32 VMs
  - 5-year warranty with 24x7 Tech Support
- 
- 2x Dual-socket rack-mount servers
  - 4x Intel® Xeon® Scalable Processors
  - Up to 1.536TB memory
  - Up to 40 Hot-swap drives

Nfina's Hybrid Cloud solutions feature 4-way mirroring with on and off-site data redundancy for a failproof data network.

Nfina's 8324R-HC solutions is a dual node, twenty-four bay model developed for businesses requiring High-Availability solutions with maximum performance and uptime. These systems are fully managed Infrastructure as a Service (IaaS) solutions designed to protect and ransomware proof your business. Copies of redundant system data are maintained on-site and off-site. In the event of an on-site node failure, the second node will automatically failover with zero downtime. We make data management easy by combining the entire process into a single solution; Infrastructure as a Service (IaaS), Disaster Recovery as a Service (DRaaS), Managed Services, and Nfina-View Monitoring Software.

Nfina's Hybrid Cloud products include easy and reliable backup and disaster recovery management tools. **Nfina-Store™** is a management software tool designed to create and manage data storage pools. Snapshots created according to your desired frequency provide fool-proof on and off-site backup and disaster recovery protection. For added security, snapshots are encrypted during transmission with at-rest encryption available as an option. **Nfina-View™** software uses a unified management control pane to monitor your edge and cloud data storage pools. In the event of an outage or failure, Nfina-View allows you to quickly failover and run from your backups in minutes, not hours or days. If a ransomware attack occurs, your system is rolled back and restored from snapshots taken before the event occurred. Nfina-View also allows you to test your backups and failover procedures, assuring your IT systems are protected if an actual disaster occurs. Like all Nfina products, all software includes a five-year warranty and support.

Nfina Hybrid Cloud solutions come with no adware, spyware, bloatware, or trackware.



**HYBRID CLOUD SOLUTIONS**  
**CYBER SECURE SERVERS**  
**BACKUP & RAPID DR**  
**DATA STORAGE**

**nfina**  
HYBRID ■ CLOUD SOLUTIONS

# NFINA 8324R-HC

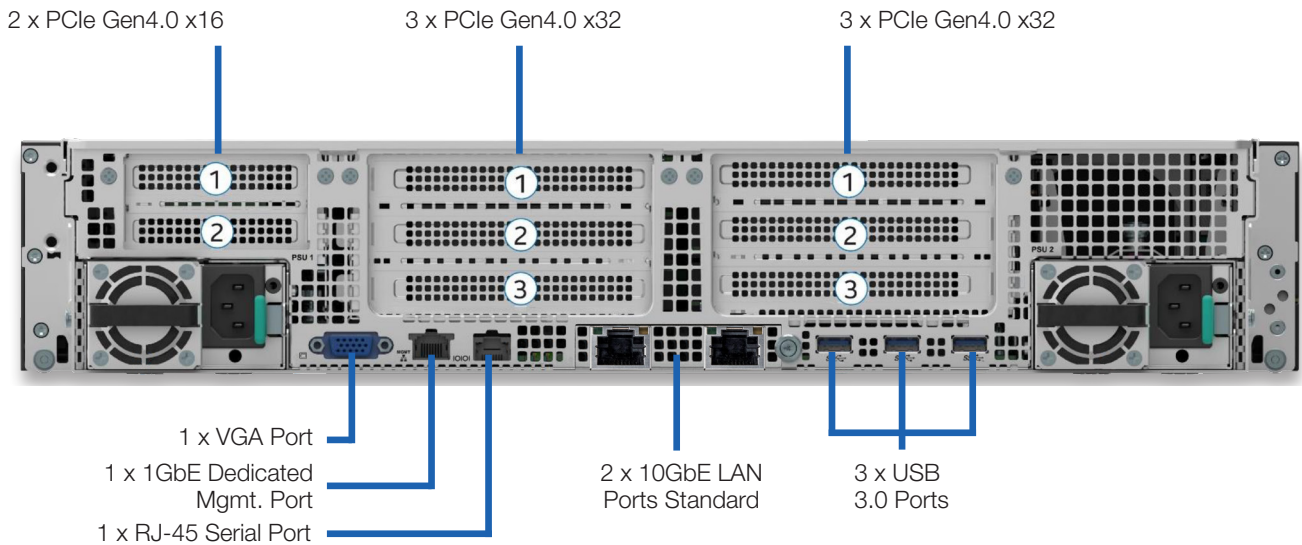
## SPECIFICATIONS

| Model                               | 8324R-HC-12   | 8324R-HC-24   | 8324R-HC-32  |
|-------------------------------------|---|---|--|
| Processors                          | 4x Intel® Xeon® Silver 4314 Scalable processors   | 4x Intel® Xeon® Gold 5317 Scalable processors   | 4x Intel® Xeon® Gold 6326 Scalable processors  |
| Cores & Threads                     | 16 cores, 32 threads (per)  | 12 cores, 24 threads (per)  | 16 cores, 32 threads (per)   |
| Processor Speed                     | 2.4GHz to 3.4GHz (per)  | 3.0GHz to 3.6GHz (per)  | 2.9GHz to 3.5GHz (per)   |
| Intel® Smart Cache                  | 24MB (per processor)  | 18MB (per processor)  | 24MB (per processor)   |
| Socket                              | Dual socket P   | Dual socket P   | Dual socket P  |
| Memory Included                     | 384GB memory<br>24x 16GB DDR4, 2933MHz  | 768GB memory<br>24 x 32GB DDR4, 2933MHz   | 1.536TB memory<br>24x 64GB DDR4, 2933MHz   |
| Storage Pool Drives                 | 16x 1.92TB 2.5" hot-swap SSD drives (Mirrored)<br>2x 100GB 2.5" Intel Optane™ NVMe SSDs (Write log)   | 32x 1.92TB 2.5" hot-swap SSD drives (Mirrored)<br>4x 100GB 2.5" Intel Optane™ NVMe SSDs (Write log) | 40 x 3.84TB 2.5" hot-swap SSD drives (Mirrored)<br>4x 100GB 2.5" Intel Optane™ NVMe SSDs (Write log) |
| Boot Drives                         | 4x 2.5" 500GB SSDs  | 4x 2.5" 500GB SSDs  | 4x 2.5" 500GB SSDs   |
| Usable Storage                      | 6.30TB  | 12.60TB   | 31.49TB  |
| Storage Controllers                 | 2x 9341-4i, 2x 9300-8e and 2x 9305-24i 12Gb/s SAS Host Bus Adapters   |   |  |
| Remote Management                   | IPMI 2.0, KVM over HTML5  |   |  |
| TPM                                 | Version 2.0, optional   |   |  |
| OS/Virtual Platform                 | VMware vSphere® Essentials  |   |  |
| # of VMs                            | 12  | 24  | 32   |
| Software Included                   | Nfina-View™ Monitoring<br>Nfina-Store™<br>VMware ESXi™  | Nfina-View™ Monitoring<br>Nfina-Store™<br>VMware ESXi™  | Nfina-View™ Monitoring<br>Nfina-Store™<br>VMware ESXi™   |
| Optional Software                   | Microsoft® Windows Server® 2022, CALs extra   | Microsoft® Windows Server® 2022 Datacenter, CALs extra  | Microsoft® Windows Server® 2022 Datacenter, CALs extra   |
| Managed Services and DRaaS Included | Nfina Cloud - Secure cloud based data backup and storage<br>Nfina Restore - Data recovery from cloud storage  |   |  |
| Form Factor                         | 2x 8324R, 2U rack-mount enclosures, 3.44" x 16.93" x 27.95" (per chassis)   |   |  |
| Operating Temp                      | 10°C to 35°C (50°F to 95°F)   |   |  |
| Input Voltage                       | 100-127V @ 9-12A, 50/60 Hz<br>200-240V @ 6-7.2A, 50/60 Hz   |   |  |
| Power Supplies                      | 2x 1600W AC, hot-swap power supplies (per chassis)  |   |  |
| Regulatory Certifications           | NRTL Nemko (US, Canada), CE (Europe), RCM (Australia/NZ), GS (Germany), FCC (US), ICES-3(A) (Canada), KC (Korea), Ukraine Certification, BSMI (Taiwan), EAC (Russia), VCCI-A (Japan), RoHS EVPU 20 (China), MIC (Vietnam) |   |  |
| Warranty                            | 5-year, Hardware and Software   |   |  |

# NFINA 8324R-HC

## SPECIFICATIONS

|                              |   |
|------------------------------|---|
| I/O ports (per chassis)      | 4 x USB 3.0 ports (1 front, 3 rear) and 1 x USB 2.0 port (front)<br>1 x RJ-45 Serial A port (rear)                |
| Display ports (per chassis)  | 1 x VGA ports (rear)<br>128MB of DDR4 video memory<br>Integrated 2D video controller                              |
| Ethernet ports (per chassis) | 2 x 10GbE LAN (100/1000/10000) standard, other options available<br>1 x 1GbE (Dedicated management port) included |
| PCIe® slots (per chassis)    | 6 x PCIe® Gen4 x32 (up to 32GB/s) FH/FL<br>2 x PCIe® Gen4 x16 (up to 32GB/s) LP/HL                                |



## SPECIFICATIONS SUMMARY

|                         |                |              |              |
|-------------------------|----------------|--------------|--------------|
| Usable Storage          | 16.38TB        | 32.76TB      | 65.52TB      |
| Intel® Xeon® Processors | 4x Silver 4314 | 4x Gold 5317 | 4x Gold 6326 |
| Memory Included         | 384GB          | 768GB        | 1.536TB      |
| # of VMs                | 12             | 24           | 32           |

|              |                     |                       |                       |
|--------------|---------------------|-----------------------|-----------------------|
| <b>Model</b> | <b>8324R-HC-12W</b> | <b>8324R-HC-24WDC</b> | <b>8324R-HC-32WDC</b> |
|--------------|---------------------|-----------------------|-----------------------|

Includes IaaS, DRaaS, Managed Services, Remote Monitoring, VMware Essentials, Nfina-Store and Nfina-View Software

Microsoft Windows Server 2022 Included

|              |                    |                    |                    |
|--------------|--------------------|--------------------|--------------------|
| <b>Model</b> | <b>8324R-HC-12</b> | <b>8324R-HC-24</b> | <b>8324R-HC-32</b> |
|--------------|--------------------|--------------------|--------------------|

Includes IaaS, DRaaS, Managed Services, Remote Monitoring, VMware Essentials, Nfina-Store and Nfina-View Software

## OTHER NFINA 8324R SOLUTIONS

### **STORAGE SOLUTIONS**

#### 8324R-NAS

The 8324R-NAS offers high-performance storage (block and file share) for backup, disaster recovery, or business continuity solutions. It is the ideal candidate for an all-flash storage array (AFA) or for creating backup storage for a HA cluster and can be loaded with 24 NVMe/SSD direct attach drives, alleviating the I/O bottleneck between high performance and capacity.

#### 8324R-SAN

The 8324R-SAN dual nodes deliver high-performance, high iOPS, and low latency. This SAN equipped with 48 SSD or NVMe drives is the ideal candidate for an AFA with a wide variety of network and storage options.

### **STORAGE SOLUTIONS**

#### 8324R-NAS

The 8324R-NAS offers high-performance storage (block and file share) for backup, disaster recovery, or business continuity solutions. It is the ideal candidate for an all-flash storage array (AFA) or for creating backup storage for a HA cluster and can be loaded with 24 NVMe/SSD direct attach drives, alleviating the I/O bottleneck between high performance and capacity.

#### 8324R-SAN

The 8324R-SAN dual nodes deliver high-performance, high iOPS, and low latency. This SAN equipped with 48 SSD or NVMe drives is the ideal candidate for an AFA with a wide variety of network and storage options.

### **HYPERCONVERGED SOLUTIONS**

#### 8324R-HA

The 8324R-HA is a dual node hyperconverged/high-availability model developed for businesses requiring a High-Availability solution with a large number of VMs, maximum performance, and uptime. These dual-socket servers support 48 SSD or NVMe drives provide a high level of security, redundancy, and fast data response times. Certified with VMware® ESXi™ and Microsoft® Hyper-V.

#### 8324R-E

The 8324R-E single-node edge device is optimal for businesses that require a high amount of VMs, storage capacity, and more performance than mid-level models. This dual-socket server is an excellent solution that supports 24 SSD or NVMe drives. Certified with VMware® ESXi™ and Microsoft® Hyper-V.

© 2023 Nfina Technologies, Inc. All rights reserved. Intel® and XEON® are registered trademarks of Intel Corporation. Other trademarks and trade names that may be used in this document are owned by their respective companies.

Nfina believes the information in this document is accurate as of its publication date. The information is subject to change without notice. The contents of this document are provided as-is, without any express or implied warranties of any kind.

Rev. 0123



**Address:** 820 S. University Blvd. Suite 4E, Mobile, AL 36609

**Email:** sales@nfina.com

**Telephone:** 251.243.0043

**Website:** www.nfina.com