

Nfina 8224R Storage Solutions



The Nfina 8224R-NAS and 8224R-SAN deliver high-density, high iOPS, and low latency.

Nfina's 8224R storage solutions ensure that all your mission-critical storage is always protected, available, and easily managed. Nfina lets you choose the best storage solution that meets your business needs, whether you are expanding existing NAS or SAN infrastructure, or need to deploy or modernize your backup & disaster recovery strategy. Organizations of all sizes will benefit from Nfina's storage solutions that help maximize efficiency while reducing storage cost.

The Nfina 8224R-NAS and 8224R-SAN are truly breakthrough storage platforms delivering high-performance storage (block and file share) for backup, disaster recovery, or business continuity solutions. They are ideal candidates for an all-flash storage array (AFA) or for creating backup storage for a HA cluster and can be loaded with 24 NVMe/SSD direct attach drives per node, alleviating the I/O bottleneck between high performance and capacity.

FEATURES:

DATA ACCELERATION

- Acceleration of random writes with Write Log (ZIL)
- Hybrid Read Cache with first level in RAM and second Read Cache level on an SSD or NVMe
- Compression for improved performance

DATA ACCESSIBILITY

- iSCSI, Fibre Channel (FC), NFS, SMB (CIFS)

DATA AVAILABILITY

- High-Availability Dual-Controller Clustering
- Active-Active and Active-Passive HA Cluster
- Dual Storage (Stretched) Metro HA Cluster and Common Storage Cluster architectures

DATA PROTECTION

- On-site and Off-site Data Protection
- N-way mirrors, Single, Dual and Triple Parity RAID
- Copy-on-Write
- Snapshots support AES Encryption while in Transit
- Snapshots support SED Encryption while at Rest

DATA INTEGRITY

- Data and Metadata Check-summing
- Self-Healing: Detecting and correcting with scrub utility

DATA BACKUP & RESTORE

- Unlimited Snapshots and Clones
- Snapshot Rollback

DATA OPTIMIZATION

- Inline Compression (LZ4, LZJB, ZLE, GZIP 1-9)
- Inline Deduplication

USER AUTHENTICATION

- Local LDAP users and groups authentication for SMB /CIFS protocol
- External Active Domain Server

SYSTEM MONITORING

- SNMP
- Nagios, Checkmk
- GUI statistics
- REST API

HYBRID CLOUD SOLUTIONS
CYBER SECURE SERVERS
BACKUP & RAPID DR
DATA STORAGE

nfina
HYBRID ■ CLOUD SOLUTIONS

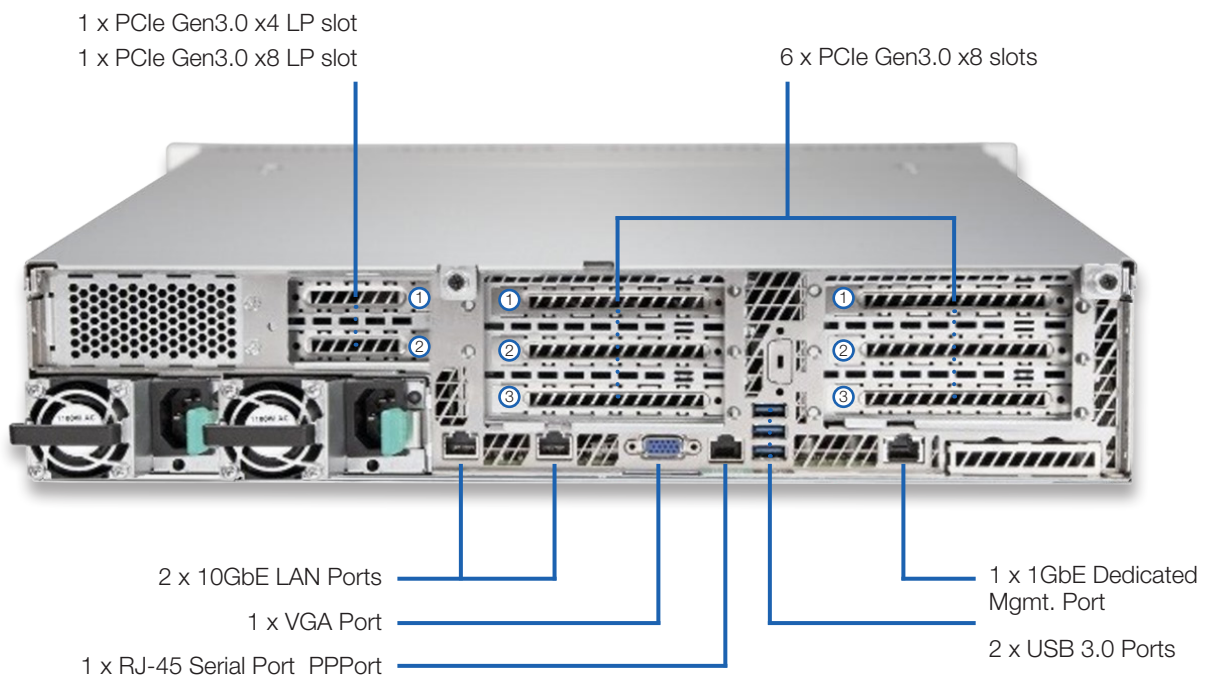
NFINA 8224R-NAS / NFINA 8224R-SAN

SPECIFICATIONS (per node)	
Form Factor	2U rack-mount, 3.44" x 16.93" x 27.95"
Operating Temperature	10°C to 35°C (50°F to 95°F)
Processor	2nd Generation Intel® Xeon® Scalable Processors, up to 28 cores each
Processor Speed	2.7GHz to 4.0GHz
Socket	Dual Socket P
Memory	Up to 24 DIMM slots, DDR4 ECC 2933 MHz 1.5TB Max memory capacity Intel® Optane™ Memory supported
Storage	24 x 2.5" hot-swap drive bays (front) Supports: 24 NVMe, SSD, and HDD drives 2 x 2.5" rear mounted hot-swap drives (optional) 2 x Internal M.2 NVMe/SSDs (2280), PCIe® or SATA (optional)
Maximum Storage	Up to 368TB, depending on drive type
Software RAID	0,1,10, optional 5
Hardware RAID/Caching	Hardware RAID optional, Caching available
Virtual RAID on CPU for NVMe drives	Choose: VROC Premium (0,1,5,10), VROC Standard (0,1,5), or Passthrough (No RAID)
Input Voltage	100-127V @ 8.5A, 50/60 Hz, 200-240V @ 7.5A, 50/60 Hz
Power Supply	Redundant hot-swap power supplies @ 1300W AC
Remote Management	IPMI 2.0, KVM over HTML5
TPM	Version 2.0, optional
OS Supported	Microsoft® Windows Server® 2019, 2022, Windows® 10 Pro/Enterprise, VMware® ESXi™ 6.0-7.0, Nfina-Store™, Edge-Store™, Open-E® JovianDSS™ & DSS7, Red Hat® RHEL 5,6,7x, SUSE® SLES 11,12, Ubuntu 14,15,16,17, CentOS™ 6,7, XenServer® 6.5-7.6, more options available
Certifications	NRTL Nemko (US, Canada), CE (Europe), RCM (Australia/NZ), GS (Germany), FCC (US), ICES-3(A) (Canada), KC (Korea), Ukraine Certification, BSMI (Taiwan), EAC (Russia), VCCI-A (Japan), RoHS EVPU 20 (China), MIC (Vietnam)
Warranty	5 years

NFINA 8224R-NAS / NFINA 8224R-SAN

SPECIFICATIONS (per node)

I/O	3 x USB 3.0 ports (rear) 1 x USB 2.0 ports (front) 1 x RJ-45 Serial (rear)
Display	1 x VGA port (rear)
Ethernet	2 x 10GbE LAN (100/1000/10000) standard, other options available 1 x 1GbE (Dedicated management port)
PCIe® Slots	7 x PCIe® Gen3 x8 1 x PCIe® Gen3 x4



Nfina products deliver exceptional functionality by creating products that are easily customized to fit specific applications. Designed and built for virtualized computing environments, our products provide highdensity, maximum yield solutions for our customers. Multiple options for high performance computing, including I/O, RAID, storage, and memory options make our products a custom fit for many applications.

All Nfina Technologies’ servers are backed by a five-year limited warranty and include 24x7 tech support with remote diagnostics. Next day and four hour onsite response options are available.

Nfina Storage solutions come with no adware, spyware, bloatware, or trackware.

OTHER NFINA 8224R SOLUTIONS

SERVER

8224R

The 8224R delivers exceptional functionality by creating a solution that is easily customized to fit your specific application. Designed and built for virtualized computing environments, the 8224R provides a high-density, maximum yield solution for your IT infrastructure. Multiple options for high performance computing, including I/O, RAID, storage, and memory options make our servers a custom fit for many applications.

HYPERCONVERGED SOLUTIONS

8224R-HA

The 8224R-HA is a dual node hyperconverged/high-availability model developed for businesses requiring a High-Availability solution with a large number of VMs, maximum performance, and uptime. These dual-socket servers support 48 SSD or NVMe drives. They provide a high level of security, redundancy, and fast data response times. Certified with VMware® ESXi™ and Microsoft® Hyper-V.

8224R-E

The 8224R-E single-node edge device is optimal for businesses that require a high amount of VMs, storage capacity, and more performance than mid-level models. This dual-socket server is an excellent solution that supports 24 SSD or NVMe drives. Certified with VMware® ESXi™ and Microsoft® Hyper-V.

HYBRID CLOUD EDGE-TO-CLOUD SOLUTIONS

8224R-HC

The 8224R-HC is a dual node, forty-eight bay Hybrid Cloud solution, designed for businesses requiring High-Availability with maximum performance and uptime. Nfina's Hybrid Cloud solutions are the perfect alternative to the public hyperscale cloud, offering more benefits than the public cloud without the cost and complexity. Copies of your data are maintained on-site and at geo-redundant off-site locations. Nfina's Hybrid Cloud solutions makes storage, compute, backup, disaster recovery, managed services, and system monitoring easy by becoming your single point of contact for the entire process.

Nfina's Hybrid Cloud products include easy and reliable backup and disaster recovery management tools. **Nfina-Store** is management software used to create and manage data storage pools. Snapshots created according to your desired frequency provide fool-proof on and off-site backup and disaster recovery protection. For added security, snapshots are encrypted during transmission with at-rest encryption available as an option. **Nfina-View** software uses a unified management control pane to monitor your edge and cloud data storage pools. In the event of an outage or failure, Nfina-View allows you to quickly failover and run from your backups in minutes, not hours or days. If a ransomware attack occurs, your system is rolled back and restored from snapshots taken before the event occurred. Nfina-View also allows you to test your backups and failover procedures, assuring your IT systems are protected if an actual disaster occurs.

© 2022 Nfina Technologies, Inc. All rights reserved. Nfina-View™ and Edge-Store™ are trademarks of Nfina Technologies, Inc., Intel® and XEON® are registered trademarks of Intel Corporation. Other trademarks and trade names that may be used in this document are owned by their respective companies. Nfina believes the information in this document is accurate as of its publication date.

Nfina believes the information in this document is accurate as of its publication date. The information is subject to change without notice. The contents of this document are provided as-is, without any express or implied warranties of any kind.

Rev. 0822



Address: 820 S. University Blvd. Suite 4E, Mobile, AL 36609

Email: sales@nfina.com

Telephone: 251.243.0043

Website: www.nfina.com