

Nfina 8224R-AS Azure Stack HCI Solution



FEATURES:

- 2U rack-mount dual-socket server
- Choice of 2nd Generation Intel® Xeon® Scalable Processors
 - Platinum, Gold, Silver and Bronze available
 - 2.7GHz to 4.0GHz processor speeds available
 - Up to 28 cores per processor
- Intel® Advanced Vector Extensions (AVX-512)
 - Accelerates deduplication, encryption, compression, & decompression
 - Double the flops per clock cycle of AVX2
- Intel® Ultra Path Interconnect
 - Up to 1.5TB total memory
 - Supports Intel® Optane™ Memory
- 24x 2.5" hot-swap drive bays
 - SAS, SATA, SSD, & NVMe
- 12Gb/s SAS capable
- Redundant hot-swap power supplies
- 2x 10GbE (100/1000/10000) LAN ports, 1x 1GbE (mgmt port)
- Highly configurable network options

The 8224R-AS is Nfina's validated Hyperconverged Infrastructure (HCI) Standard solution for Azure Stack HCI solution from Microsoft.

The Nfina 8224R-AS is built to optimize Azure Stack HCI, highly virtualized compute and storage are combined in the same server node cluster, making them easier to deploy, manage, and scale thus eliminating networking silos and simplifying the network infrastructure.

There's a lot to be gained in efficiency and simplicity by utilizing software-defined datacenter technology. But many IT organizations lack the time or staff to envision and implement new software-defined infrastructure.

Want the efficiency and simplicity of software-defined datacenter technology without having to design and implement it yourself? Validated software-defined datacenter solutions from preferred Microsoft partner Nfina can help you access these benefits faster.

Nfina offers Azure Stack HCI solutions that work with Window Server to deliver high-performance storage or hyper-converged infrastructure. Hyperconverged solutions bring together compute, storage, and networking on industry-standard servers and components, which means organizations can gain improved datacenter intelligence and control while avoiding the costs of specialized high-end hardware.

All Nfina Technologies' servers are backed by a five-year limited warranty and include 24x7 tech support with remote diagnostics. Next day and four hour onsite response options are available.

Nfina Servers come with no adware, spyware, bloatware, or trackware.

HYBRID CLOUD SOLUTIONS
CYBER SECURE SERVERS
BACKUP & RAPID DR
DATA STORAGE

nfina
HYBRID ■ CLOUD SOLUTIONS

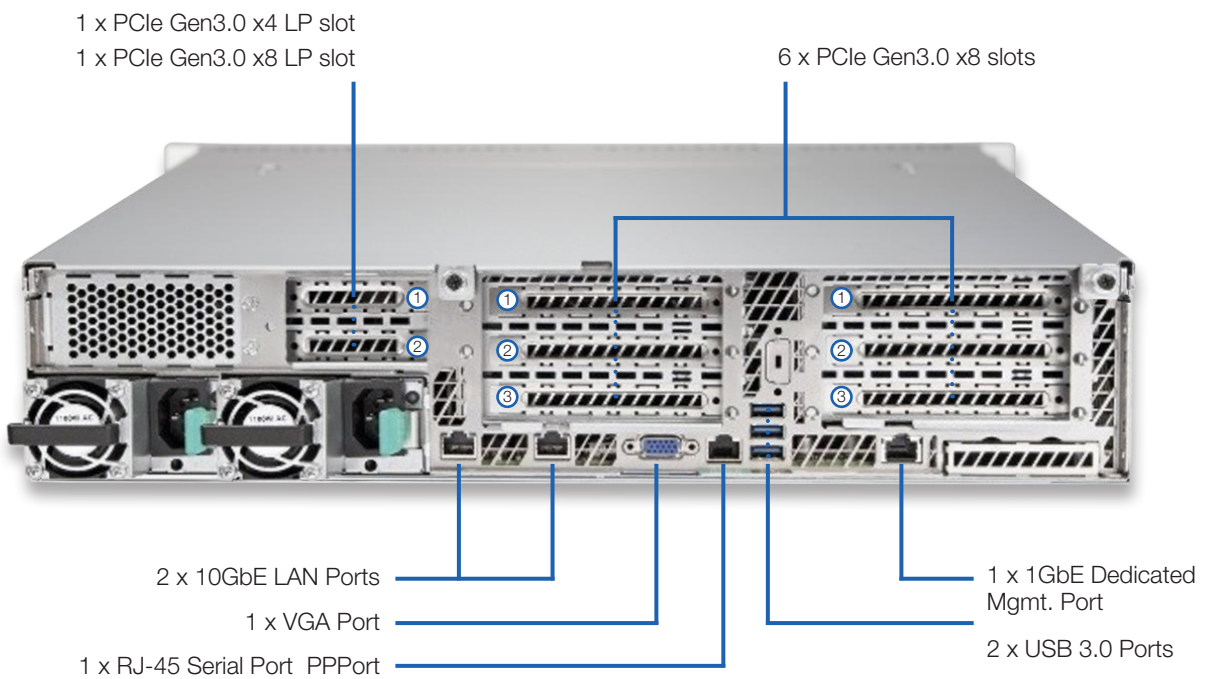
NFINA 8224R-AS

SPECIFICATIONS (per node)	
Form Factor	2U rack-mount, 3.44" x 16.93" x 27.95"
Operating Temperature	10°C to 35°C (50°F to 95°F)
Processor	2nd Generation Intel® Xeon® Scalable Processors, up to 28 cores each
Processor Speed	2.7GHz to 4.0GHz
Socket	Dual Socket P
Memory	Up to 24 DIMM slots, DDR4 ECC 2933 MHz 1.5TB Max memory capacity Intel® Optane™ Memory supported
Storage	24 x 2.5" hot-swap drive bays (front) Supports: 24 NVMe, SSD, and HDD drives 2 x 2.5" rear mounted hot-swap drives (optional) 2 x Internal M.2 NVMe/SSDs (2280), PCIe® or SATA (optional)
Maximum Storage	Up to 368TB, depending on drive type
Software RAID	0,1,10, optional 5
Hardware RAID/Caching	Hardware RAID optional, Caching available
Virtual RAID on CPU for NVMe drives	Choose: VROC Premium (0,1,5,10), VROC Standard (0,1,5), or Passthrough (No RAID)
Input Voltage	100-127V @ 8.5A, 50/60 Hz, 200-240V @ 7.5A, 50/60 Hz
Power Supply	Redundant hot-swap power supplies @ 1300W AC
Remote Management	IPMI 2.0, KVM over HTML5
TPM	Version 2.0, optional
OS Supported	Microsoft® Windows Server® 2019, Windows® 10 Pro/Enterprise, VMware® ESXi™ 6.0-7.0, Nfina-Store, Edge-Store™, Open-E® JovianDSS™ & DSS7, Red Hat® RHEL5,6,7x, SUSE® SLES 11,12, Ubuntu 14,15,16,17, CentOS™ 6,7, XenServer® 6.5-7.6, more options available
Certifications	NRTL Nemko (US, Canada), CE (Europe), RCM (Australia/NZ), GS (Germany), FCC (US), ICES-3(A) (Canada), KC (Korea), Ukraine Certification, BSMI (Taiwan), EAC (Russia), VCCI-A (Japan), RoHS EVPU 20 (China), MIC (Vietnam)
Warranty	5 years

NFINA 8224R-AS

SPECIFICATIONS

I/O	3 x USB 3.0 ports (rear) 1 x USB 2.0 ports (front) 1 x RJ-45 Serial (rear)
Display	1 x VGA port (rear)
Ethernet	2 x 10GbE LAN (100/1000/10000) standard, other options available 1 x 1GbE (Dedicated management port)
PCIe® Slots	7 x PCIe® Gen3 x8 1 x PCIe® Gen3 x4



OTHER NFINA 8224R SOLUTIONS

STORAGE SOLUTIONS

8224R-NAS

The 8224R-NAS offers high-performance storage (block and file share) for backup, disaster recovery, or business continuity solutions. It is the ideal candidate for an all-flash storage array (AFA) or for creating backup storage for a HA cluster and can be loaded with 24 NVMe/SSD direct attach drives, alleviating the I/O bottleneck between high performance and capacity.

8224R-SAN

The 8224R-SAN dual nodes deliver high-performance, high IOPS, and low latency. This SAN equipped with 48 SSD or NVMe drives is the ideal candidate for an AFA with a wide variety of network and storage options.

HYPERCONVERGED SOLUTIONS

8224R-HA

The 8224R-HA is a dual node hyperconverged/high-availability model developed for businesses requiring a High-Availability solution with a large number of VMs, maximum performance, and uptime. These dual-socket servers support 48 SSD or NVMe drives provide a high level of security, redundancy, and fast data response times. Certified with VMware® ESXi™ and Microsoft® Hyper-V.

8224R-E

The 8224R-E single-node edge device is optimal for businesses that require a high amount of VMs, storage capacity, and more performance than mid-level models. This dual-socket server is an excellent solution that supports 24 SSD or NVMe drives. Certified with VMware® ESXi™ and Microsoft® Hyper-V.

HYBRID CLOUD EDGE-TO-CLOUD SOLUTIONS

8224R-HC

The 8224R-HC is a dual node, forty-eight bay Hybrid Cloud solution, designed for businesses requiring High-Availability with maximum performance and uptime. Nfina's Hybrid Cloud solutions are the perfect alternative to the public hyperscale cloud, offering more benefits than the public cloud without the cost and complexity. Copies of your data are maintained on-site and at geo-redundant off-site locations. Nfina's Hybrid Cloud solutions makes storage, compute, backup, disaster recovery, managed services, and system monitoring easy by becoming your single point of contact for the entire process.

Nfina's Hybrid Cloud products include easy and reliable backup and disaster recovery management tools. **Nfina Edge-Store™** and **Nfina-Store™** are management software designed to create and manage data storage pools. Snapshots created according to your desired frequency provide fool-proof on and off-site backup and disaster recovery protection. For added security, snapshots are encrypted during transmission with at-rest encryption available as an option. **Nfina-View™** software uses a unified management control pane to monitor your edge and cloud data storage pools. In the event of an outage or failure, Nfina-View allows you to quickly failover and run from your backups in minutes, not hours or days. If a ransomware attack occurs, your system is rolled back and restored from snapshots taken before the event occurred. Nfina-View also allows you to test your backups and failover procedures, assuring your IT systems are protected if an actual disaster occurs.

© 2022 Nfina Technologies, Inc. All rights reserved. Intel® and XEON® are registered trademarks of Intel Corporation. Other trademarks and trade names that may be used in this document are owned by their respective companies.

Nfina believes the information in this document is accurate as of its publication date. The information is subject to change without notice. The contents of this document are provided as-is, without any express or implied warranties of any kind.

Rev. 0822



Address: 820 S. University Blvd. Suite 4E, Mobile, AL 36609

Email: sales@nfina.com

Telephone: 251.243.0043

Website: www.nfina.com