

# Nfina 7212R Server



## FEATURES:

- 2U rack-mount dual-socket server
- Choice of 2nd Generation Intel® Xeon® Scalable Processors
  - Platinum, Gold, Silver and Bronze available
  - 2.7GHz to 4.0GHz processor speeds available
  - Up to 28 cores per processor
- Intel® Advanced Vector Extensions (AVX-512)
  - Accelerates deduplication, encryption, compression, & decompression
  - Double the flops per clock cycle of AVX2
- Intel® Ultra Path Interconnect
- Up to 1.5TB total memory
- Supports Intel® Optane™ Memory
- 12x 3.5" or 2.5" hot-swap drive bays
  - SAS, SATA, SSD, & NVMe
- 12Gb/s SAS capable
- Redundant hot-swap power supplies
- 2x 10GbE (100/1000/10000) LAN ports, 1x 1GbE (mgmt port)
- Highly configurable network options

The Nfina 7212R series is a high-value, high-density server ideal for demanding, compute-intensive applications.

The Nfina 7212R with 2nd Generation Intel® Xeon® Scalable processors is truly a breakthrough storage and compute platform. Delivering 4.2x greater virtual machine performance, and 65 percent lower cost of ownership compared to four year old devices, greatly reducing strain on both your users and your budget. If even greater performance is required, this server is the ideal candidate for an all-flash storage array and can be loaded with 12 SSD, HDD or NVMe direct attach drives, alleviating the I/O bottleneck between high performance and capacity.

In environments consisting of hyperconverged systems, virtualized systems, advanced analytics, or artificial intelligence, the 7212R delivers on performance and efficiency. Data centers for enterprise, military, and municipal government will benefit from Nfina's outstanding value, reliability and performance.

Nfina products deliver exceptional functionality by creating products that are easily customized to fit specific applications. Designed and built for virtualized computing environments, our products provide high density, maximum yield solutions for our customers. Multiple options for high performance computing, including I/O, RAID, storage, and memory options make our products a custom fit for many applications.

All Nfina Technologies' servers are backed by a five-year limited warranty and include 24x7 tech support with remote diagnostics. Next day and four hour onsite response options are available.

Nfina Servers come with no adware, spyware, bloatware, or trackware.

**HYBRID CLOUD SOLUTIONS**  
**CYBER SECURE SERVERS**  
**BACKUP & RAPID DR**  
**DATA STORAGE**

***nfina***  
HYBRID ■ CLOUD SOLUTIONS

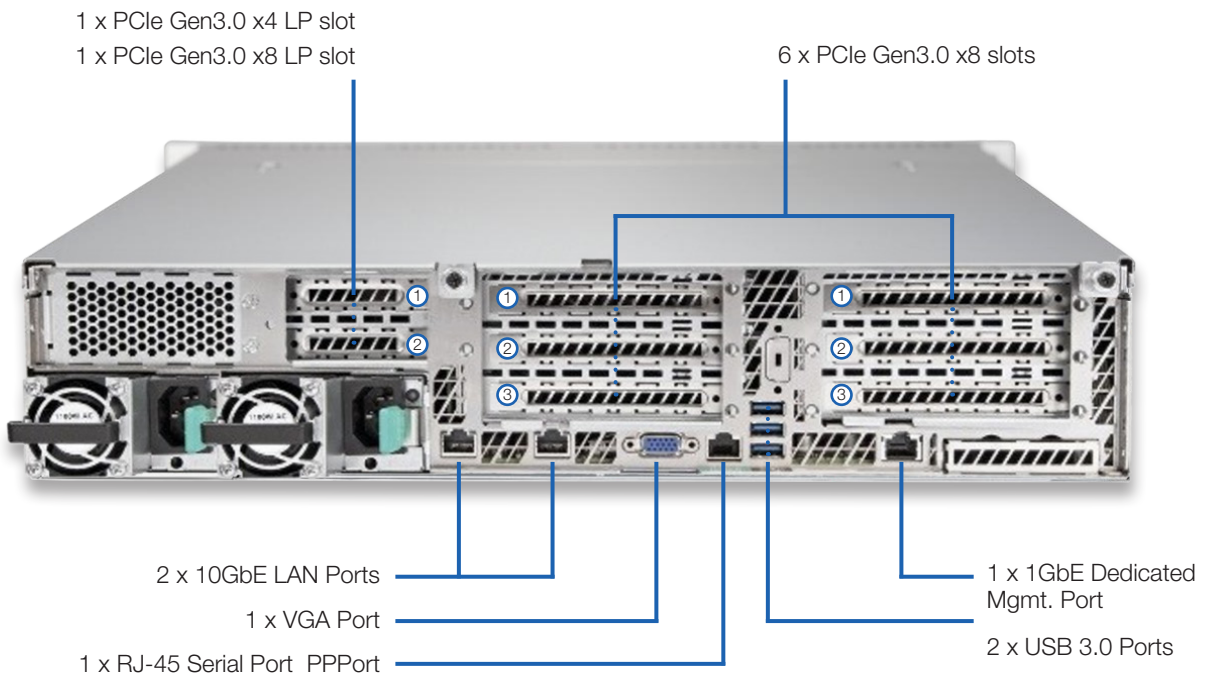
# NFINA 7212R

SPECIFICATIONS (per node)	
Form Factor	2U rack-mount, 3.44" x 16.93" x 27.95"
Operating Temperature	10°C to 35°C (50°F to 95°F)
Processor	2nd Generation Intel® Xeon® Scalable Processors, up to 28 cores each
Processor Speed	2.7GHz to 4.0GHz
Socket	Dual Socket P
Memory	Up to 24 DIMM slots, DDR4 ECC 2933 MHz 1.5TB Max memory capacity Intel® Optane™ Memory supported
Storage	12 x 3.5" or 2.5" hot-swap drive bays (front) Supports: 12 SSD or HDD drives <b>-or-</b> 10 SSD or HDD, and 2 NVMe drives 2 x 2.5" rear mounted hot-swap drives (optional) 2 x Internal M.2 NVMe/SSDs (2280), PCIe® or SATA (optional)
Maximum Storage	Up to 192TB, depending on drive type
Software RAID	0,1,10, optional 5
Hardware RAID/Caching	Hardware RAID optional, Caching available
Virtual RAID on CPU for NVMe drives	Choose: VROC Premium (0,1,5,10), VROC Standard (0,1,5), or Passthrough (No RAID)
Input Voltage	100-127V @ 8.5A, 50/60 Hz, 200-240V @ 7.5A, 50/60 Hz
Power Supply	Redundant hot-swap power supplies @ 1300W AC
Remote Management	IPMI 2.0, KVM over HTML5
TPM	Version 2.0, optional
OS Supported	Microsoft® Windows Server® 2019, 2022, Windows® 10 Pro/Enterprise, VMware® ESXi™ 6.0-7.0, Nfina-Store, Edge-Store™, Open-E® JovianDSS™ & DSS7, Red Hat® RHEL5,6,7x, SUSE® SLES 11,12, Ubuntu 14,15,16,17, CentOS™ 6,7, XenServer® 6.5-7.6, more options available
Certifications	NRTL Nemko (US, Canada), CE (Europe), RCM (Australia/NZ), GS (Germany), FCC (US), ICES-3(A) (Canada), KC (Korea), Ukraine Certification, BSMI (Taiwan), EAC (Russia), VCCI-A (Japan), RoHS EVPU 20 (China), MIC (Vietnam)
Warranty	5 years

# NFINA 7212R

## SPECIFICATIONS

I/O	3 x USB 3.0 ports (rear) 1 x USB 2.0 ports (front) 1 x RJ-45 Serial (rear)
Display	1 x VGA port (rear)
Ethernet	2 x 10GbE LAN (100/1000/10000) standard, other options available 1 x 1GbE (Dedicated management port)
PCIe® Slots	7 x PCIe® Gen3 x8 1 x PCIe® Gen3 x4



© 2022 Nfina Technologies, Inc. All rights reserved. Intel® and XEON® are registered trademarks of Intel Corporation. Other trademarks and trade names that may be used in this document are owned by their respective companies.

Nfina believes the information in this document is accurate as of its publication date. The information is subject to change without notice. The contents of this document are provided as-is, without any express or implied warranties of any kind.

Rev. 0822

## OTHER NFINA 7212R SOLUTIONS

### STORAGE SOLUTIONS

#### 7212R-NAS

The 7212R-NAS offers high-performance storage (block and file share) for backup, disaster recovery, or business continuity solutions. It is the ideal candidate for an all-flash storage array (AFA) or for creating backup storage for a HA cluster and can be loaded with 24 SSD or HDD drives, or 20 SSD or HDD and 4 NVMe drives, alleviating the I/O bottleneck between high performance and capacity.

#### 7212R-SAN

The 7212R-SAN dual nodes deliver high-performance, high iOPS, and low latency. This SAN equipped with 12 SSD or HDD drives, or 10 SSD or HDD and 2 NVMe drives is the ideal candidate for an AFA with a wide variety of network and storage options.

### HYPERCONVERGED SOLUTIONS

#### 7212R-HA

The 7212R-HA is a dual node hyperconverged/high-availability model developed for businesses requiring a High-Availability solution with a large number of VMs, maximum performance, and uptime. These dual-socket servers support 24 SSD or HDD drives, or 20 SSD or HDD and 4 NVMe drives. They provide a high level of security, redundancy, and fast data response times. Certified with VMware® ESXi™ and Microsoft® Hyper-V.

#### 7212R-E

The 7212R-E single-node edge device is optimal for businesses that require a high amount of VMs, storage capacity, and more performance than mid-level models. This dual-socket server is an excellent solution that supports 12 SSD or HDD drives, or 10 SSD or HDD and 2 NVMe drives. Certified with VMware® ESXi™ and Microsoft® Hyper-V.

### HYBRID CLOUD EDGE-TO-CLOUD SOLUTIONS

#### 7212R-HC

The 7212R-HC is a dual node, twenty-four bay Hybrid Cloud solution, designed for businesses requiring High-Availability with maximum performance and uptime. Nfina's Hybrid Cloud solutions are the perfect alternative to the public hyperscale cloud, offering more benefits than the public cloud without the cost and complexity. Copies of your data are maintained on-site and at geo-redundant off-site locations. Nfina's Hybrid Cloud solutions makes storage, compute, backup, disaster recovery, managed services, and system monitoring easy by becoming your single point of contact for the entire process.

Nfina's Hybrid Cloud products include easy and reliable backup and disaster recovery management tools. **Nfina Edge-Store™** and **Nfina-Store™** are management software designed to create and manage data storage pools. Snapshots created according to your desired frequency provide fool-proof on and off-site backup and disaster recovery protection. For added security, snapshots are encrypted during transmission with at-rest encryption available as an option. **Nfina-View™** software uses a unified management control pane to monitor your edge and cloud data storage pools. In the event of an outage or failure, Nfina-View allows you to quickly failover and run from your backups in minutes, not hours or days. If a ransomware attack occurs, your system is rolled back and restored from snapshots taken before the event occurred. Nfina-View also allows you to test your backups and failover procedures, assuring your IT systems are protected if an actual disaster occurs.



**Address:** 820 S. University Blvd. Suite 4E, Mobile, AL 36609

**Email:** sales@nfina.com

**Telephone:** 251.243.0043

**Website:** www.nfina.com