

# Nfina 7212R-HC Hybrid Cloud Solution



## FEATURES:

- IaaS solution w/ransomware protection and recovery
  - Disaster Recovery as a Service (DRaaS) included, with off-site data backup and cloud restoration
  - Managed Services included
  - Remote Management and Professional Services included
  - Nfina-View™ Monitoring Software included, provides failover recovery in minutes
  - Nfina Edge-Store™ Storage Mgmt. Software, included
  - VMware vSphere® Essentials included
  - Microsoft Windows Server Software optional
  - 4-way mirrored storage
  - Up to 32 VMs
  - 5-year warranty with 24x7 Tech Support
- 
- 2x Dual-socket rack-mount servers
  - 4x Intel® Xeon® Scalable Processors
  - Up to 1.536TB memory
  - Up to 20 Hot-swap drives

Nfina's Hybrid Cloud solutions feature 4-way mirroring with on and off-site data redundancy for a failproof data network.

Nfina's 7212R-HC solutions is a dual node, twelve bay model developed for businesses requiring High-Availability solutions with maximum performance and uptime. These systems are fully managed Infrastructure as a Service (IaaS) solutions designed to protect and ransomware proof your business. Copies of redundant system data are maintained on-site and off-site. In the event of an on-site node failure, the second node will automatically failover with zero downtime. We make data management easy by combining the entire process into a single solution; Infrastructure as a Service (IaaS), Disaster Recovery as a Service (DRaaS), Managed Services, and Nfina-View Monitoring Software.

Nfina's Hybrid Cloud products include easy and reliable backup and disaster recovery management tools. **Nfina Edge-Store™** and **Nfina-Store™** are management software tools designed to create and manage data storage pools. Snapshots created according to your desired frequency provide fool-proof on and off-site backup and disaster recovery protection. For added security, snapshots are encrypted during transmission with at-rest encryption available as an option. **Nfina-View™** software uses a unified management control pane to monitor your edge and cloud data storage pools. In the event of an outage or failure, Nfina-View allows you to quickly failover and run from your backups in minutes, not hours or days. If a ransomware attack occurs, your system is rolled back and restored from snapshots taken before the event occurred. Nfina-View also allows you to test your backups and failover procedures, assuring your IT systems are protected if an actual disaster occurs. Like all Nfina products, all software includes a five-year warranty and support.

Nfina Hybrid Cloud solutions come with no adware, spyware, bloatware, or trackware.

HYBRID CLOUD SOLUTIONS  
CYBER SECURE SERVERS  
BACKUP & RAPID DR  
DATA STORAGE

**nfina**  
HYBRID ■ CLOUD SOLUTIONS

# NFINA 7212R-HC

## SPECIFICATIONS

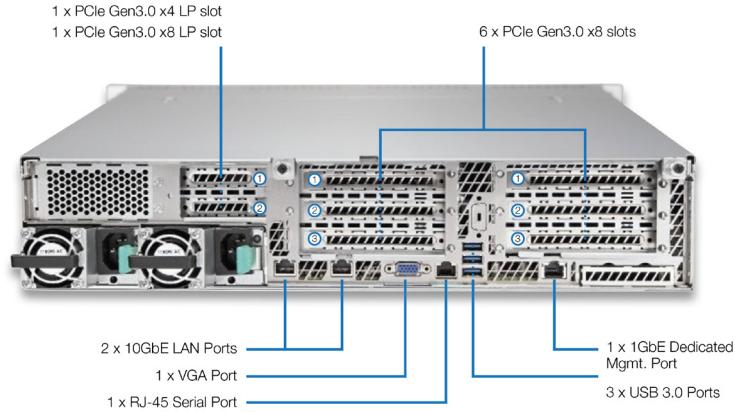
Model	7212R-HC-12	7212R-HC-24	7212R-HC-32
Processors (per node)	4x Intel® Xeon® Silver 4215 Scalable processors	4x Intel® Xeon® Gold 5217 Scalable processors	4x Intel® Xeon® Gold 6132 Scalable processors
Cores & Threads	8 cores, 16 threads (per)	8 cores, 16 threads (per)	14 cores, 28 threads (per)
Processor Speed	2.5GHz to 3.5GHz (per)	3.0GHz to 3.7GHz (per)	2.6GHz to 3.7GHz (per)
Intel® Smart Cache	11MB (per processor)	11MB (per processor)	19.25MB (per processor)
Socket	Dual socket P	Dual socket P	Dual socket P
Memory Included	384GB memory 24x 16GB DDR4, 2933MHz	768GB memory 24x 32GB DDR4, 2933MHz	1.536TB memory 24x 64GB DDR4, 2933MHz
Storage Pool Drives	20x 2TB 3.5" hot-swap SAS drives (Mirrored) 4x 100GB 2.5" Intel Optane™ NVMe SSDs (Write log)	20x 4TB 3.5" hot-swap SAS drives (Mirrored) 4x 100GB 2.5" Intel Optane™ NVMe SSDs (Write log)	20x 8TB 3.5" hot-swap SAS drives (Mirrored) 4x 100GB 2.5" Intel Optane™ NVMe SSDs (Write log)
Boot Drives	4x 2.5" 500GB SSDs	4x 2.5" 500GB SSDs	4x 2.5" 500GB SSDs
Usable Storage	8.20TB	16.40TB	32.80TB
Storage Controllers	1 x 9341-4i and 1 x 9300-8i 12Gb/s SAS Host Bus Adapters (per node)		
Remote Management	IPMI 2.0, KVM over HTML5		
TPM	Version 2.0, optional		
OS/Virtual Platform	VMware vSphere® Essentials		
# of VMs	12	24	32
Software Included	Nfina-View™ Monitoring Nfina Edge-Store™ VMware ESXi™	Nfina-View™ Monitoring Nfina Edge-Store™ VMware ESXi™	Nfina-View™ Monitoring Nfina Edge-Store™ VMware ESXi™
Optional Software	Microsoft® Windows Server® 2022, CALs extra	Microsoft® Windows Server® 2022 Datacenter, CALs extra	Microsoft® Windows Server® 2022 Datacenter, CALs extra
Managed Services and DRaaS Included	Nfina Cloud - Secure cloud based data backup and storage Nfina Restore - Data recovery from cloud storage		
Form Factor	2x 7212R, 2U rack-mount enclosures, 3.44" x 16.93" x 27.95" (per chassis)		
Operating Temp	10°C to 35°C (50°F to 95°F)		
Input Voltage	100-127V @ 9-12A, 50/60 Hz 200-240V @ 6-7.2A, 50/60 Hz		
Power Supplies	2x 1300W AC, hot-swap power supplies (per chassis)		
Regulatory Certifications	NRTL Nemko (US, Canada), CE (Europe), RCM (Australia/NZ), GS (Germany), FCC (US), ICES-3(A) (Canada), KC (Korea), Ukraine Certification, BSMI (Taiwan), EAC (Russia), VCCI-A (Japan), RoHS EGPU 20 (China), MIC (Vietnam)		
Warranty	5-year, Hardware and Software		

# NFINA 7212R-HC

## SPECIFICATIONS

I/O ports (per chassis)	3x USB 3.0 ports (rear), 1x USB 2.0 port (front) 1x RJ-45 Serial (rear)
Display ports (per chassis)	1x VGA port (rear)
Ethernet ports (per chassis)	2x 10GbE LAN, 2x 25GbE LAN, 4x 10GbE iSCSI/vMotion VLAN 1x 1GbE LAN (Dedicated management)
PCIe® slots (per chassis)	6x PCIe Gen3 x8, 1x PCIe Gen3 x8 (LP) and 1x PCIe Gen3 x4 (LP)

Port and slot counts displayed below are for one chassis only



## SPECIFICATIONS SUMMARY

Usable Storage	8.20TB	16.40TB	32.80TB
Intel® Xeon® Processors	4x Silver 4215	4x Gold 5217	4x Gold 6132
Memory Included	384GB	768GB	1.536TB
# of VMs	12	24	32

<b>Model</b>	<b>7212R-HC-12W</b>	<b>7212R-HC-24WDC<sup>+</sup></b>	<b>7212R-HC-32WDC<sup>+</sup></b>
--------------	---------------------	-----------------------------------	-----------------------------------

Includes IaaS, DRaaS, Managed Services, Remote Monitoring, VMware Essentials, Nfina-Store and Nfina-View Software

Microsoft Windows Server 2022 Included

<b>Model</b>	<b>7212R-HC-12</b>	<b>7212R-HC-24</b>	<b>7212R-HC-32</b>
--------------	--------------------	--------------------	--------------------

Includes IaaS, DRaaS, Managed Services, Remote Monitoring, VMware Essentials, Nfina-Store and Nfina-View Software

## OTHER NFINA 7212R SOLUTIONS

### SERVER

#### 7212R

The 7212R delivers exceptional functionality by creating a solution that is easily customized to fit your specific application. Designed and built for virtualized computing environments, the 7212R provides a high-density, maximum yield solution for your IT infrastructure. Multiple options for high performance computing, including I/O, RAID, storage, and memory options make our servers a custom fit for many applications.

### STORAGE SOLUTIONS

#### 7212R-NAS

The 7212R-NAS offers high-performance storage (block and file share) for backup, disaster recovery, or business continuity solutions. It is the ideal candidate for an all-flash storage array (AFA) or for creating backup storage for a HA cluster and can be loaded with 12 HDD, SSD, or NVMe drives, alleviating the I/O bottleneck between high performance and capacity.

#### 7212R-SAN

The 7212R-SAN dual nodes deliver high-performance, high iOPS, and low latency. This SAN equipped with 24 HDD, SSD, or NVMe drives is the ideal candidate for an AFA with a wide variety of network and storage options.

### HYPERCONVERGED SOLUTIONS

#### 7212R-HA

The 7212R-HA is a dual node hyperconverged/high-availability model developed for businesses requiring a High-Availability solution with a large number of VMs, maximum performance, and uptime. These dual-socket servers support 24 SSD or HDD drives, or 20 SSD or HDD and 4 NVMe drives. They provide a high level of security, redundancy, and fast data response times. Certified with VMware® ESXi™ and Microsoft® Hyper-V.

#### 7212R-E

The 7212R-E single-node edge device is optimal for businesses that require a high amount of VMs, storage capacity, and more performance than mid-level models. This dual-socket server is an excellent solution that supports 12 SSD or HDD drives, or 10 SSD or HDD and 2 NVMe drives. Certified with VMware® ESXi™ and Microsoft® Hyper-V.

© 2022 Nfina Technologies, Inc. All rights reserved. Nfina-View™ and Edge-Store™ are trademarks of Nfina Technologies, Inc., Intel® and XEON® are registered trademarks of Intel Corporation. Other trademarks and trade names that may be used in this document are owned by their respective companies. Nfina believes the information in this document is accurate as of its publication date.

Nfina believes the information in this document is accurate as of its publication date. The information is subject to change without notice. The contents of this document are provided as-is, without any express or implied warranties of any kind.

Rev. 0822



**Address:** 820 S. University Blvd. Suite 4E, Mobile, AL 36609

**Email:** sales@nfina.com

**Telephone:** 251.243.0043

**Website:** www.nfina.com