

Nfina 2208R Storage Solutions



The Nfina 2208R-NAS and 2208R-SAN are scalable, hybrid storage solutions for backup, disaster recovery, or High-Availability clusters.

Nfina's 2208R storage solutions ensure that all your mission-critical storage is always protected, available, and easily managed. Nfina lets you choose the best storage solution that meets your business needs, whether you are expanding existing NAS or SAN infrastructure, or need to deploy or modernize your backup & disaster recovery strategy. Organizations of all sizes will benefit from Nfina's storage solutions that help maximize efficiency while reducing storage cost.

The Nfina 2208R-NAS and 2208R-SAN are ideal for budget applications that delivering high-performance storage (block and file share) for backup, disaster recovery, or business continuity solutions. This advanced storage platform delivers exceptional quality and a lower cost of ownership, greatly reducing strain on your users and your finances.

FEATURES:

DATA ACCELERATION

- Acceleration of random writes with Write Log (ZIL)
- Hybrid Read Cache with first level in RAM and second Read Cache level on an SSD or NVMe
- Compression for improved performance

DATA ACCESSIBILITY

- iSCSI, Fibre Channel (FC), NFS, SMB (CIFS)

DATA AVAILABILITY

- High-Availability Dual-Controller Clustering
- Active-Active and Active-Passive HA Cluster
- Dual Storage (Stretched) Metro HA Cluster and Common Storage Cluster architectures

DATA PROTECTION

- On-site and Off-site Data Protection
- N-way mirrors, Single, Dual and Triple Parity RAID
- Copy-on-Write
- Snapshots support AES Encryption while in Transit
- Snapshots support SED Encryption while at Rest

DATA INTEGRITY

- Data and Metadata Check-summing
- Self-Healing: Detecting and correcting with scrub utility

DATA BACKUP & RESTORE

- Unlimited Snapshots and Clones
- Snapshot Rollback

DATA OPTIMIZATION

- Inline Compression (LZ4, LZJB, ZLE, GZIP 1-9)
- Inline Deduplication

USER AUTHENTICATION

- Local LDAP users and groups authentication for SMB /CIFS protocol
- External Active Domain Server

SYSTEM MONITORING

- SNMP
- Nagios, Checkmk
- GUI statistics
- REST API

HYBRID CLOUD SOLUTIONS
CYBER SECURE SERVERS
BACKUP & RAPID DR
DATA STORAGE

nfina
HYBRID ■ CLOUD SOLUTIONS

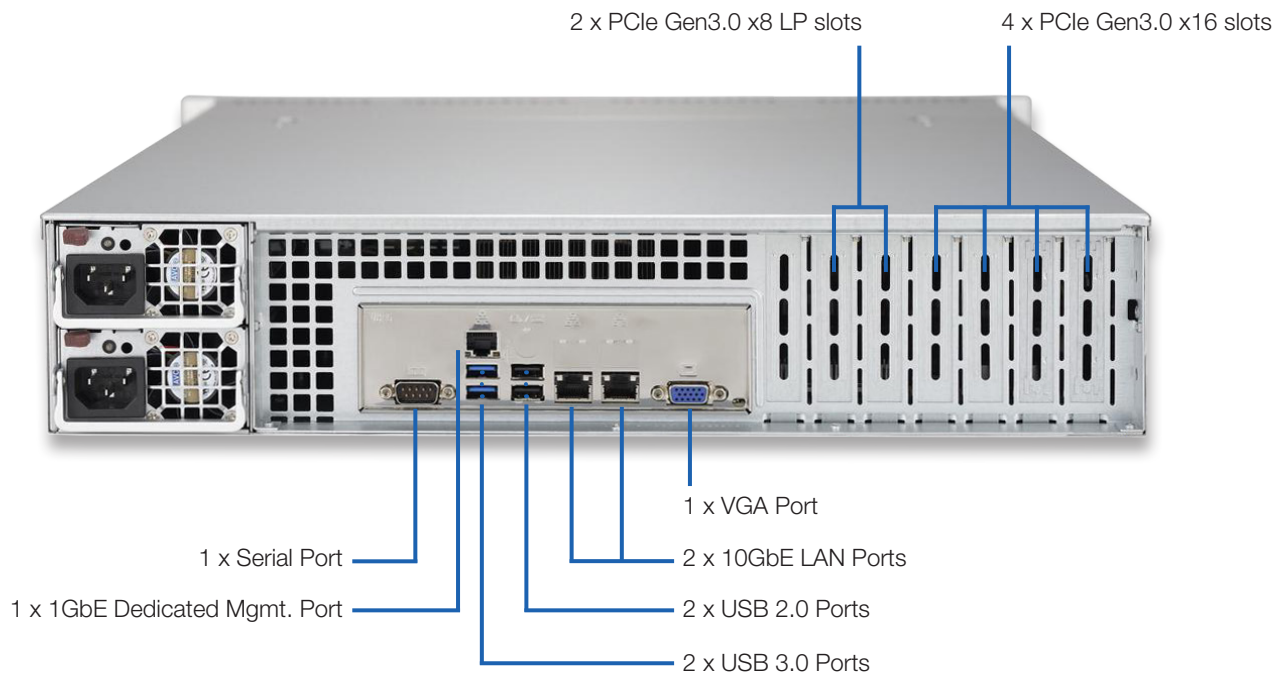
NFINA 2208R-NAS / NFINA 2208R-SAN

SPECIFICATIONS (per node)	
Form Factor	2U rack-mount, 3.5" x 17.2" x 25.5"
Operating Temperature	10°C to 35°C (50°F to 95°F)
Processors	2nd Generation Intel® Xeon® Scalable Processors, up to 28 cores each
Processor Speed	Up to 2.7GHz to 4.0GHz
CPU Cache	Up to 39MB
Socket	Dual Socket P (LGA 3647)
Memory	16 DIMM slots, DDR4 ECC RDIMM/LRDIMM 2666/2933 MHz 768GB Max memory capacity Intel® Optane™ DC Persistent Memory supported
Storage	8 x 3.5" or 2.5" hot-swap drive bays (2.5" requires adapter) Supports: SSD and HDD drives 1 x internal M.2 NVMe/SSD (2260/2280/22110), PCIe (optional)
Optical Drive	1 x 5.25" Slim DVD, SATA drive (optional)
Maximum Storage	Up to 128TB, depending on drive type
Software RAID	0, 1, 5, 10 support
Hardware RAID / Caching	Hardware RAID optional, Caching available
Input Voltage	100-127V @ 9-12A, 50/60 Hz 200-240V @ 6-7.2A, 50/60 Hz
Power Supply	Redundant hot-swap 1000W AC power supplies with PMBus
Remote Management	IPMI 2.0, KVM over HTML5
TPM	Version 2.0, optional
Software Certifications	VMware® ESXi 7.0 Certified
OS Supported	Microsoft® Windows Server® 2019, 2022, Windows® 10 Pro/Enterprise, VMware® ESXi™ 6.0-7.0, Nfina-Store, Edge-Store™, Open-E® JovianDSS™ & DSS7, Red Hat® RHEL5,6,7x, SUSE® SLES 11,12, Ubuntu 14,15,16,17, CentOS™ 6,7, XenServer® 6.5-7.6, more options available
Certifications	UL or CSA Listed (USA and Canada), FCC Class A (US), CE (Europe), RoHS (Europe)
Warranty	5 years

NFINA 2208R-NAS / NFINA 2208R-SAN

SPECIFICATIONS (per node)

I/O	4 x USB 3.0 ports (2 front, 2 rear) 2 x USB 2.0 ports (rear) 2 x serial port (1 front, 1 rear)
Display	1 x VGA port (rear)
Ethernet	2 x 10GbE LAN ports (10/1000/10000) standard, other options available 1 x 1GbE (Dedicated management port)
PCIe® Slots	4 x PCIe Gen3 x16 slots (Low-profile) 2 x PCIe Gen3 x8 slots (Low-profile)



Nfina products deliver exceptional functionality by creating products that are easily customized to fit specific applications. Designed and built for virtualized computing environments, our products provide highdensity, maximum yield solutions for our customers. Multiple options for high performance computing, including I/O, RAID, storage, and memory options make our products a custom fit for many applications.

All Nfina Technologies' servers are backed by a five-year limited warranty and include 24x7 tech support with remote diagnostics. Next day and four hour onsite response options are available.

Nfina Storage solutions come with no adware, spyware, bloatware, or trackware.

OTHER NFINA 2208R SOLUTIONS

SERVER

2208R

The 2208R is ideal for budget applications that require the optimized performance of the 2nd Generation Intel® Xeon® Scalable processors and comes equipped with 8 SSD or HDD hot-swap drive bays. This advanced storage and compute platform delivers exceptional quality and a lower cost of ownership, greatly reducing strain on your users and your budget.

HYPERCONVERGED SOLUTIONS

2208R-HA

The 2208R-HA is a dual node hyperconverged/high-availability model developed for budget conscious businesses in need of a high-availability solution with a large number of VMs, peak performance, and uptime. These dual-socket servers support up to 16 SSD or HDD drives. They provide a high level of security, redundancy, and fast data response times.

2208R-E

The 2208R-E single-node edge device is optimal for businesses that require a high amount of VMs, storage capacity, and more performance than mid-level models. This dual-socket server is an excellent solution that supports up to 8 SSD or HDD drives.

© 2022 Nfina Technologies, Inc. All rights reserved. Nfina-View™ and Edge-Store™ are trademarks of Nfina Technologies, Inc., Intel® and XEON® are registered trademarks of Intel Corporation. Other trademarks and trade names that may be used in this document are owned by their respective companies. Nfina believes the information in this document is accurate as of its publication date.

Nfina believes the information in this document is accurate as of its publication date. The information is subject to change without notice. The contents of this document are provided as-is, without any express or implied warranties of any kind.

Rev. 0822



Address: 820 S. University Blvd. Suite 4E, Mobile, AL 36609

Email: sales@nfina.com

Telephone: 251.243.0043

Website: www.nfina.com