

# Nfina 2208R Hyperconverged Solutions



The Nfina 2208R-E and 2208R-HA store copies of data locally and remotely for instant access and recovery, eliminating crucial lag time.

Nfina's 2208R Hyperconverged solutions put information processing (Data Entry, Compute, Storage, Point of Sale) closer to your edge applications. With the Nfina 2208R-E and 2208R-HA you can improve security and compliance, achieve faster response times, create redundancy, reduce latency, lower cost, and complement your existing cloud computing infrastructure.

The Nfina 2208R-E and 2208R-HA offer multiple backup and disaster recovery options to ensure data security and retention: *Edge-Store* included with smaller capacity storage, provides integration for local and offsite data backup and disaster recovery. Unlike many of our competitors, you can choose to store your offsite storage where you like; a colo, the cloud, or multiple geo-redundant cloud locations. *Nfina-Store* included with larger capacity storage, helps create and manage HA clusters and provides no single point of failure. Features include tiered RAM, unlimited snapshots with instant restore, compression and deduplication, and on and offsite data protection. *Nfina-View* software provides monitoring on-prem and cloud, failover, rollback, and DR testing. Failover and rollback are simple single click operations and do not require rebuilding and repopulating data.

## FEATURES:

### DATA ACCELERATION

- Acceleration of random writes with Write Log (ZIL)
- Hybrid Read Cache with first level in RAM and second Read Cache level on an SSD or NVMe
- Compression for improved performance

### DATA ACCESSIBILITY

- iSCSI, Fibre Channel (FC), NFS, SMB (CIFS)

### DATA AVAILABILITY

- High-Availability Dual-Controller Clustering
- Active-Active and Active-Passive HA Cluster
- Dual Storage (Stretched) Metro HA Cluster and Common Storage Cluster architectures

### DATA PROTECTION

- On-site and Off-site Data Protection
- N-way mirrors, Single, Dual and Triple Parity RAID
- Copy-on-Write
- Snapshots support AES Encryption while in Transit
- Snapshots support SED Encryption while at Rest

### DATA INTEGRITY

- Data and Metadata Check-summing
- Self-Healing: Detecting and correcting with scrub utility

### DATA BACKUP & RESTORE

- Unlimited Snapshots and Clones
- Snapshot Rollback

### DATA OPTIMIZATION

- Inline Compression (LZ4, LZJB, ZLE, GZIP 1-9)
- Inline Deduplication

### USER AUTHENTICATION

- Local LDAP users and groups authentication for SMB /CIFS protocol
- External Active Domain Server

### SYSTEM MONITORING

- SNMP
- Nagios, Checkmk
- GUI statistics
- REST API

**HYBRID CLOUD SOLUTIONS**  
**CYBER SECURE SERVERS**  
**BACKUP & RAPID DR**  
**DATA STORAGE**

***nfina***  
HYBRID ■ CLOUD SOLUTIONS

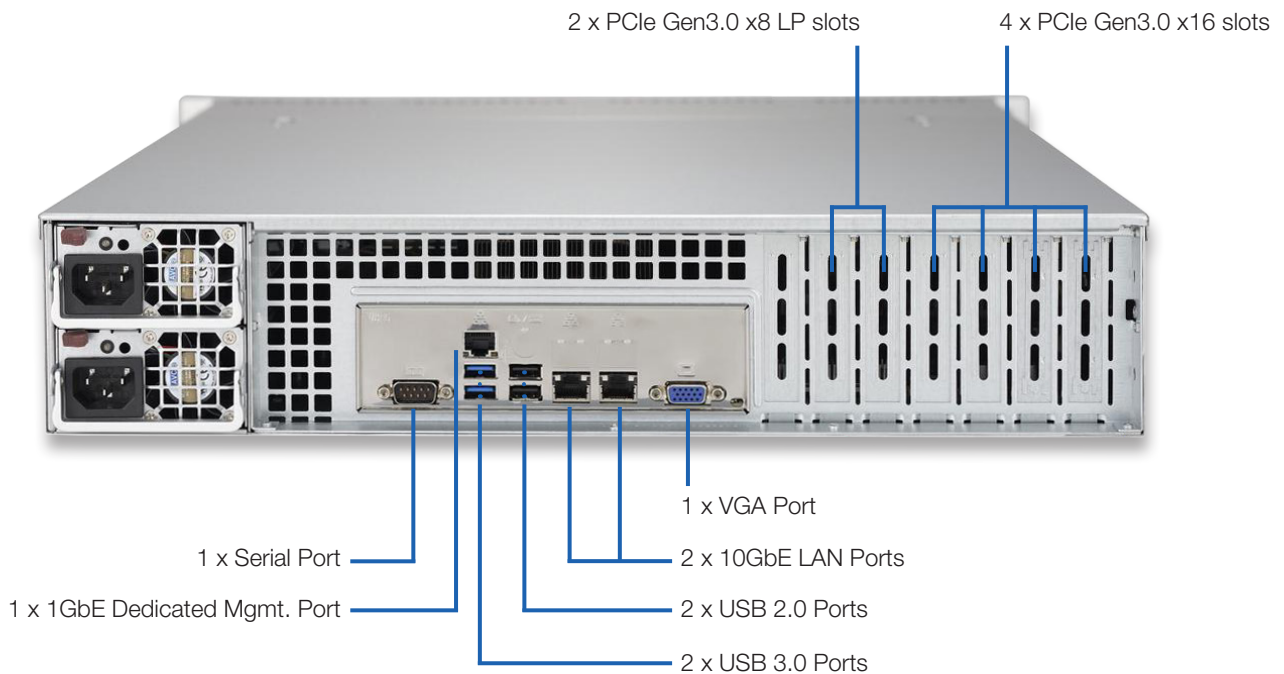
# NFINA 2208R-E / NFINA 2208R-HA

SPECIFICATIONS (per node)	
Form Factor	2U rack-mount, 3.5" x 17.2" x 25.5"
Operating Temperature	10°C to 35°C (50°F to 95°F)
Processors	2nd Generation Intel® Xeon® Scalable Processors, up to 28 cores each
Processor Speed	Up to 2.7GHz to 4.0GHz
CPU Cache	Up to 39MB
Socket	Dual Socket P (LGA 3647)
Memory	16 DIMM slots, DDR4 ECC RDIMM/LRDIMM 2666/2933 MHz 768GB Max memory capacity Intel® Optane™ DC Persistent Memory supported
Storage	8 x 3.5" or 2.5" hot-swap drive bays (2.5" requires adapter) Supports: SSD and HDD drives 1 x internal M.2 NVMe/SSD (2260/2280/22110), PCIe (optional)
Optical Drive	1 x 5.25" Slim DVD, SATA drive (optional)
Maximum Storage	Up to 128TB, depending on drive type
Software RAID	0, 1, 5, 10 support
Hardware RAID / Caching	Hardware RAID optional, Caching available
Input Voltage	100-127V @ 9-12A, 50/60 Hz 200-240V @ 6-7.2A, 50/60 Hz
Power Supply	Redundant hot-swap 1000W AC power supplies with PMBus
Remote Management	IPMI 2.0, KVM over HTML5
TPM	Version 2.0, optional
Software Certifications	VMware® ESXi 7.0 Certified
OS Supported	Microsoft® Windows Server® 2019, 2022, Windows® 10 Pro/Enterprise, VMware® ESXi™ 6.0-7.0, Nfina-Store, Edge-Store™, Open-E® JovianDSS™ & DSS7, Red Hat® RHEL5,6,7x, SUSE® SLES 11,12, Ubuntu 14,15,16,17, CentOS™ 6,7, XenServer® 6.5-7.6, more options available
Certifications	UL or CSA Listed (USA and Canada), FCC Class A (US), CE (Europe), RoHS (Europe)
Warranty	5 years

# NFINA 2208R-E / NFINA 2208R-HA

## SPECIFICATIONS (per node)

I/O	4 x USB 3.0 ports (2 front, 2 rear) 2 x USB 2.0 ports (rear) 2 x serial port (1 front, 1 rear)
Display	1 x VGA port (rear)
Ethernet	2 x 10GbE LAN ports (10/1000/10000) standard, other options available 1 x 1GbE (Dedicated management port)
PCIe® Slots	4 x PCIe Gen3 x16 slots (Low-profile) 2 x PCIe Gen3 x8 slots (Low-profile)



Nfina products deliver exceptional functionality by creating products that are easily customized to fit specific applications. Designed and built for virtualized computing environments, our products provide highdensity, maximum yield solutions for our customers. Multiple options for high performance computing, including I/O, RAID, storage, and memory options make our products a custom fit for many applications.

All Nfina Technologies' servers are backed by a five-year limited warranty and include 24x7 tech support with remote diagnostics. Next day and four hour onsite response options are available.

Nfina Hyperconverged solutions come with no adware, spyware, bloatware, or trackware.

## OTHER NFINA 2208R SOLUTIONS

### SERVER

#### 2208R

The 2208R is ideal for budget applications that require the optimized performance of the 2nd Generation Intel® Xeon® Scalable processors and comes equipped with 8 SSD or HDD hot-swap drive bays. This advanced storage and compute platform delivers exceptional quality and a lower cost of ownership, greatly reducing strain on your users and your budget.

### STORAGE SOLUTIONS

#### 2208R-NAS

The 2208R-NAS is ideal for budget applications that require the optimized performance of the 2nd Generation Intel® Xeon® Scalable processors and comes equipped with 8 SSD or HDD hot-swap drive bays. This advanced storage and compute platform delivers exceptional quality and a lower cost of ownership, greatly reducing strain on your users and your finances.

#### 2208R-SAN

The 2208R-SAN dual nodes deliver high-performance, high iOPS, and low latency. This SAN is excellent for budget applications and comes equipped with 16 SSD or HDD hot-swap drive bays. It's the perfect candidate for an AFA with a wide variety of network and storage options.

© 2022 Nfina Technologies, Inc. All rights reserved. Nfina-View™ and Edge-Store™ are trademarks of Nfina Technologies, Inc., Intel® and XEON® are registered trademarks of Intel Corporation. Other trademarks and trade names that may be used in this document are owned by their respective companies. Nfina believes the information in this document is accurate as of its publication date.

Nfina believes the information in this document is accurate as of its publication date. The information is subject to change without notice. The contents of this document are provided as-is, without any express or implied warranties of any kind.

Rev. 0822



**Address:** 820 S. University Blvd. Suite 4E, Mobile, AL 36609

**Email:** [sales@nfina.com](mailto:sales@nfina.com)

**Telephone:** 251.243.0043

**Website:** [www.nfina.com](http://www.nfina.com)